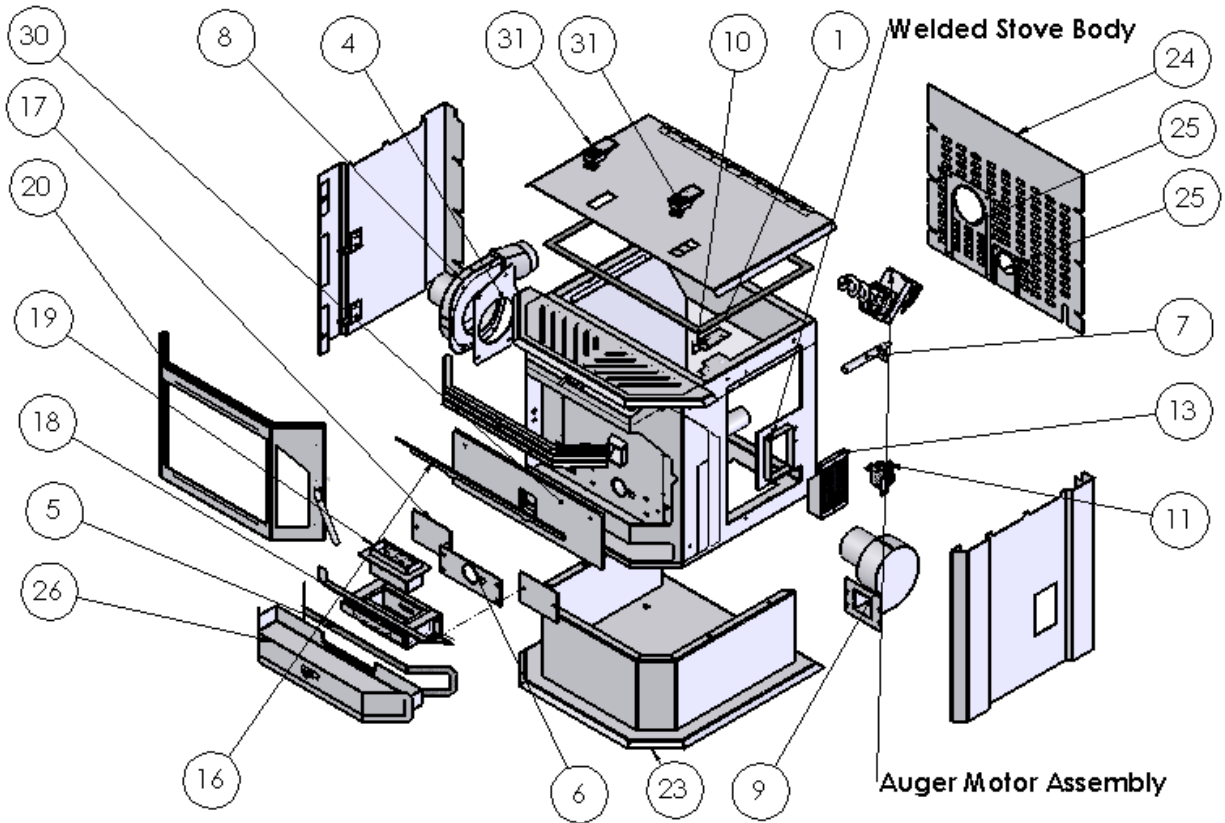


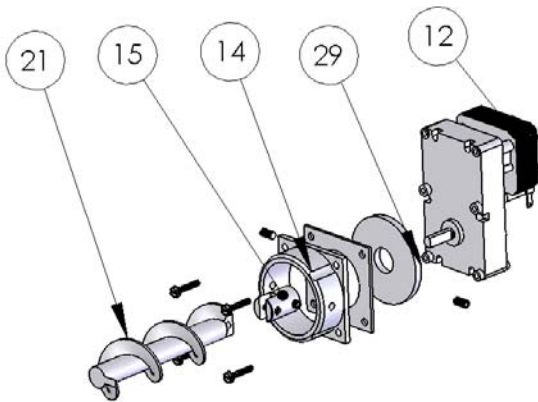
# England Stove Works 25-EP, 55-SHPEP, 55-TRPEP Parts List

## Parts Diagram for Freestanding

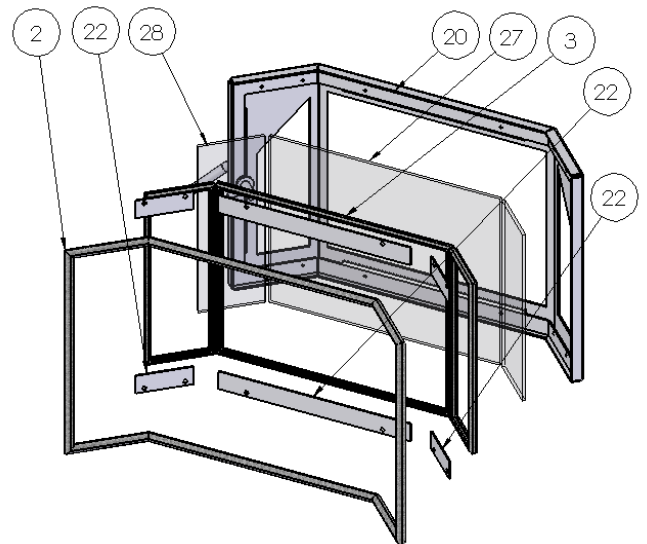


## Freestanding and Insert

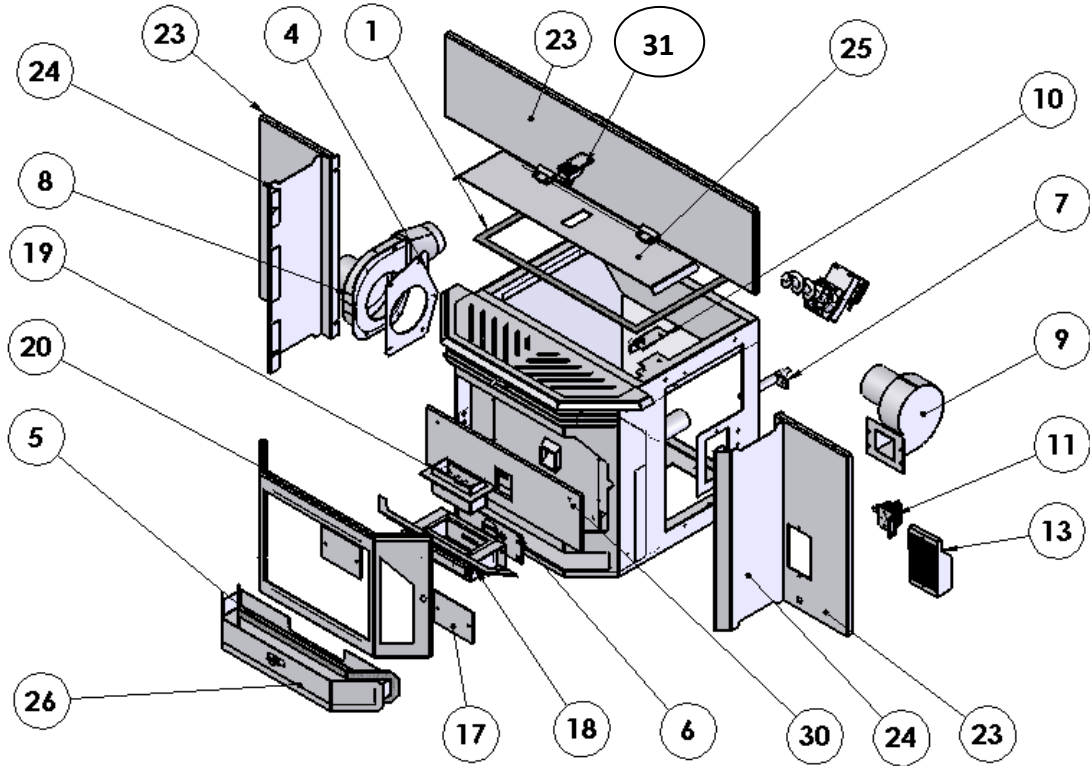
### Auger Motor Assembly



### Steel Door Assembly



## Parts Diagram for Insert



## Replacement Parts List

| Part Number                  | Part Description                | Diagram #       |
|------------------------------|---------------------------------|-----------------|
| <b>Gaskets</b>               |                                 |                 |
| PU-HLG                       | Hopper Lid Gasket               | 1               |
| AC-DGKEP                     | Door Gasket                     | 2               |
| AC-GGKEP                     | Three Piece Window Gasket Kit   | 3               |
| PU-CBMG                      | Exhaust Blower & Motor Gasket   | 4               |
| AC-GGK                       | Ash Pan Gasket                  | 5               |
| PU-CGEP                      | Cradle Mating Gasket            | 6               |
| <b>Electrical Components</b> |                                 |                 |
| PU-CHA                       | Igniter Cartridge Heater        | 7               |
| PU-076002B                   | Exhaust Blower                  | 8               |
| PU-4C442                     | Room Air Blower                 | 9               |
| AC-HLSB                      | Hopper Lid Switch               | 10              |
| CU-VS                        | .05" of WC Vacuum Switch        | 11              |
| CU-047042                    | 2 RPM Auger Motor               | 12              |
| PU-CBEP                      | Control Board                   | 13              |
| <b>Cast Iron</b>             |                                 |                 |
| CA-AMPP                      | Cast Iron Auger Motor Collar    | 14              |
| <b>Steel</b>                 |                                 |                 |
| CA-AC                        | Steel Auger Coupler             | 15              |
| IP-25EP                      | Firebox Baffle                  | 16              |
| PU-ECCEP                     | Exhaust Cleanout Covers         | 17              |
| PU-BPCEP                     | Cradle                          | 18              |
| PU-BPEP                      | Burnpot                         | 19              |
| CA-40                        | Steel Door                      | 20              |
| PU-AFEP                      | Steel Auger                     | 21              |
| AC-GSEP                      | Glass Support Brackets          | 22              |
| PU-BREP                      | Pedestal Base and Riser         | Freestanding 23 |
| PU-SKEP                      | Insert Surround Kit             | Insert 23       |
| PU-RAPEP                     | Rear Access Panel               | Freestanding 24 |
| PU-SPSEP                     | Insert Side Panel Set           | Insert 24       |
| PU-EPRCP                     | Exhaust and Intake Cover Plates | Freestanding 25 |
| PU-ITEP                      | Insert Top and Rear Cover Plate | Insert 25       |
| PU-APEP                      | Ash Pan                         | 26              |
| <b>Glass</b>                 |                                 |                 |
| AC-G40                       | Three Piece Glass - Center      | 27              |
| AC-G41                       | Three Piece Glass - Side        | 28              |
| <b>Misc</b>                  |                                 |                 |
| CU-RG                        | Rubber Auger Motor Bushing      | 29              |
| AC-CFBEP                     | Fiberboard                      | 30              |
| AC-LSEP                      | Log Set                         | Not Shown       |
| PU-VH                        | High Temp. Vacuum Hose          | Not Shown       |
| PU-62-40-151-3               | Hopper Lid Latch                | 31              |
| AC-SHN                       | Nickel Spring Handle            | Not Shown       |
| AC-SH                        | Brass Spring Handle             | Not Shown       |
| PU-EDIC                      | Exhaust Tube Insulation Wrap    | Not Shown       |